



● Thank you for purchasing our product. Before installing/operating the product, please read the instruction thoroughly and retain them for future reference.

⚠ Attention!

1. For installation, please follow the steps described in manual. Any damage caused by wrong installation shall be imputed to the users.
2. Do not disassemble or change any parts excluding the manual description.
3. The interior examination or maintenance should be executed by our professionals.

Ⓞ Symbol Description:

NOTE You could get the installation details from the information behind the mark.

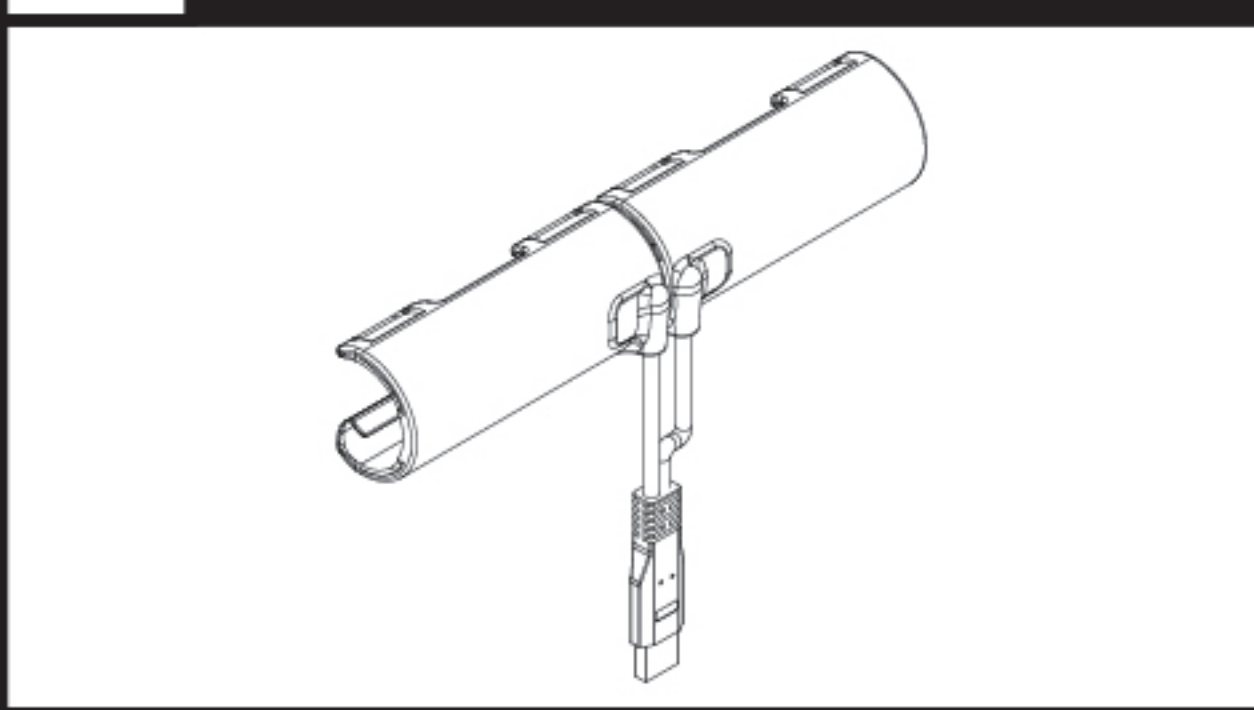
⚠ Some processes must be followed to avoid the affection caused by wrong installation.

WARNING! Certain procedure must be followed to avoid damages to yourself or the public.

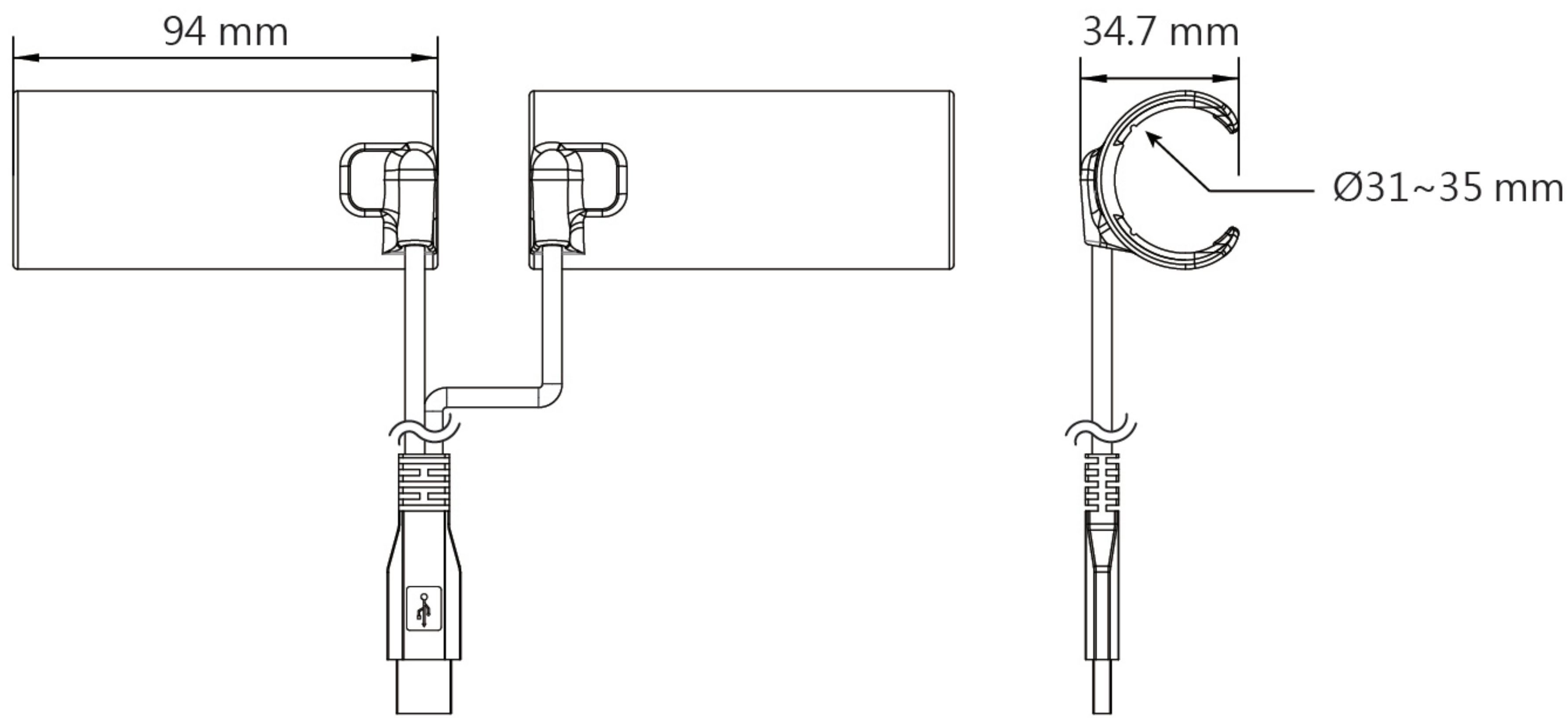
CAUTION! Certain procedure must be followed to avoid damages to the vehicle.

1 Accessory

1 Heated grip sleeves X1



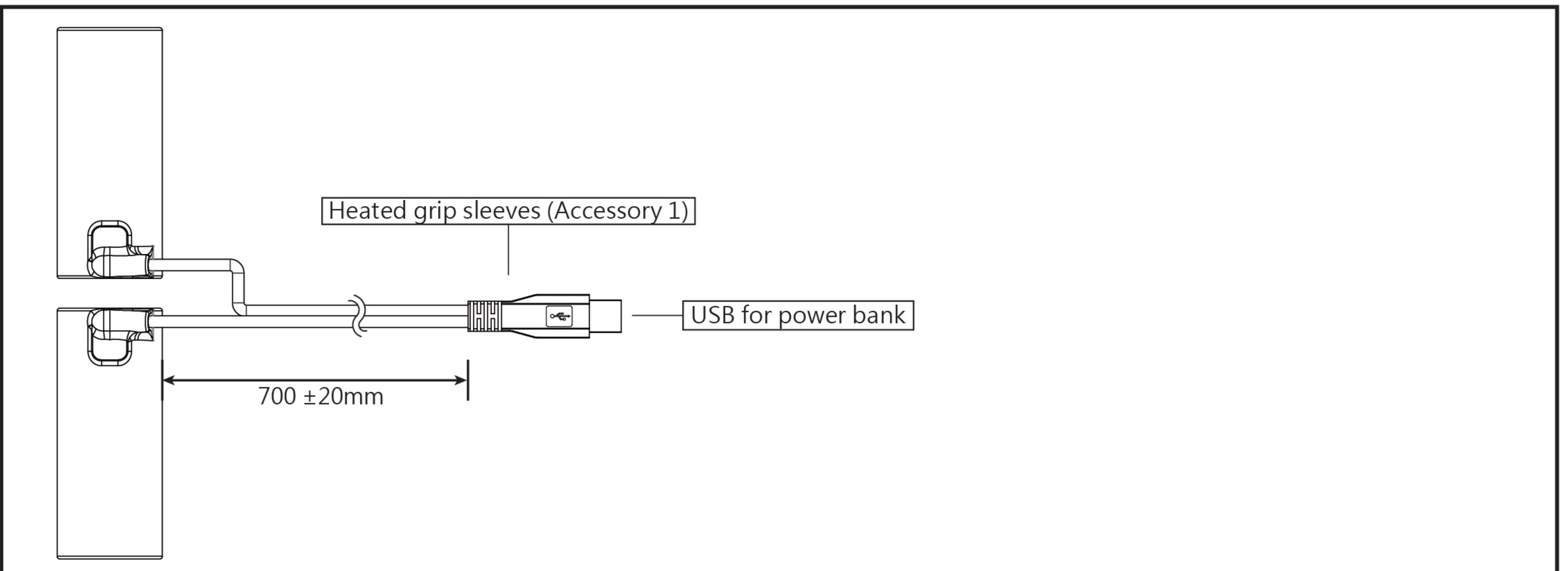
2 Instruction of function



● Working Voltage	Rated Voltage : DC 5V Consumed Power : 10W
● Specification of the power bank	Recommended using output shall be above DC 5V / 2.1A
● Effective temperature range	-10 ~ 60 °C
● IP Level	IP54
● Size	94 X 34.7 mm
● Weight	About 86 g

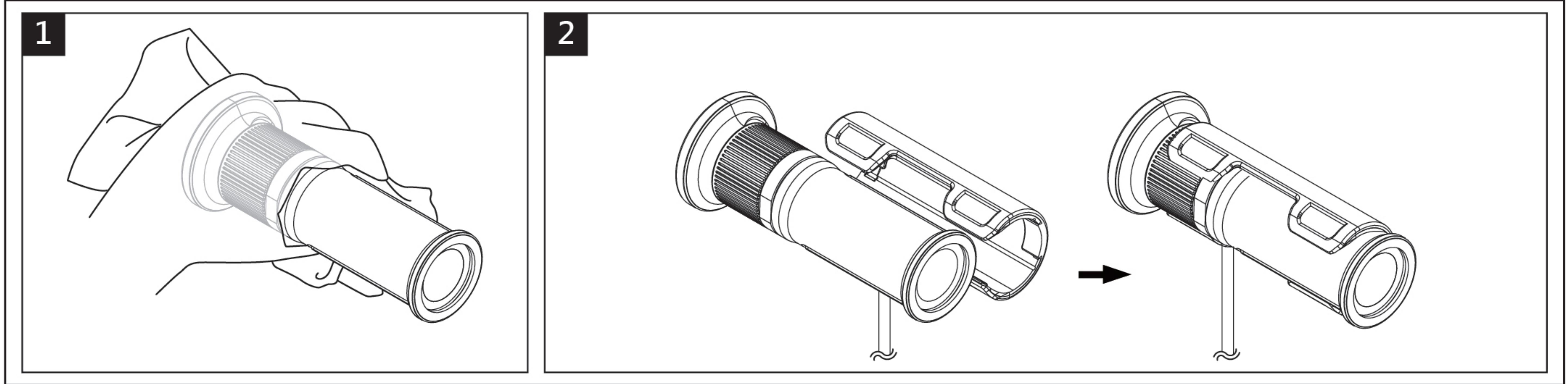
NOTE Design and specifications are subject to change without notice!

3-1 Wiring installation instructions



3-2 Practical installation instruction

Follow the steps below during installation.

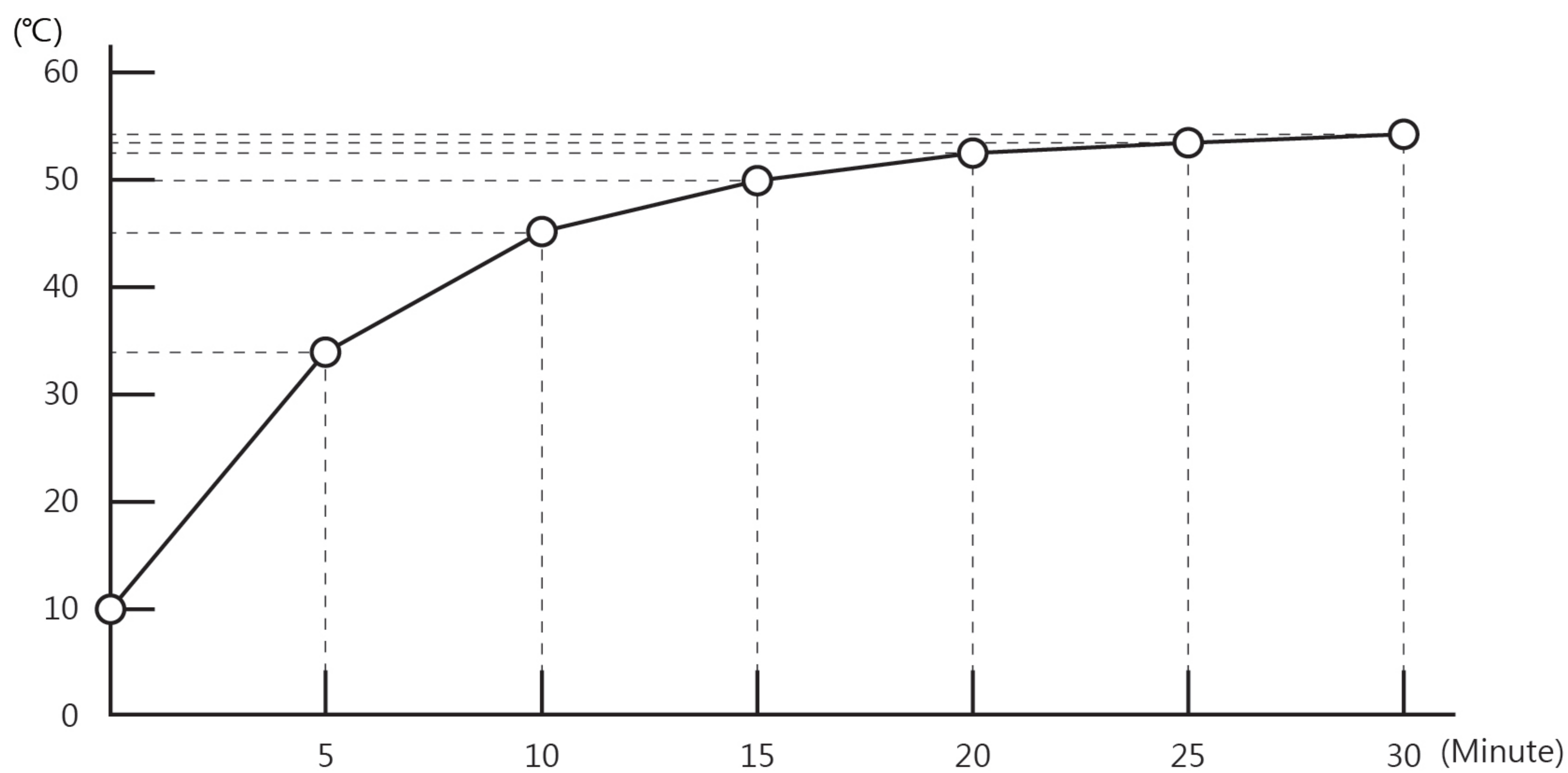


1. Please wipe clean the oil stain, moisture, and dust before installation.
2. To allow fingers to feel the warmth, the angle of the heated grip shall contact the hand in parallel.

⚠ Please be aware of the direction and distance of the wirings in case of insufficient length of the wirings.

NOTE The installation tightness may differ according to the materials and appearances of the vehicle's grips; overrelaxation may affect the ride and cause dangers; please do not impose such usages.

4 Heated grip testing data



NOTE The testing environment was 10 degree Celsius, with working voltage of 5 V.

5 Trouble shooting

The following situation do not indicate malfunction of the product. Please check the following points, before taking it in for repair.

Trouble	Check item
There is no obvious temperature.	<ul style="list-style-type: none"> ● There might be no power supply. <ul style="list-style-type: none"> → Please make sure the wires are connected. → Check whether the specification of the power bank is above DC 5V / 2.1A. → Check the wires of product and device.
One side overheated, while the other side has no heat.	<ul style="list-style-type: none"> ● It may be product damages. <ul style="list-style-type: none"> → Please return to the distributor.

※If the problems still can't be solved, please contact your local distributor to get assistance.